



A3



1383

- 1
- 2
- 3
- 4
- 5
- 6
- 7
- 8
- 9
- 10
- 11
- 12
- 13
- 14
- 15
- 16
- 17
- 18
- 19
- 20
- 21
- 22
- 23
- 24
- 25

-



"

"

...

78

"

"

OHSAS18001 ISO14001

) IMS

(ISO/TS:2002 ISO9001:2000

:

ECER83/03

20

CO

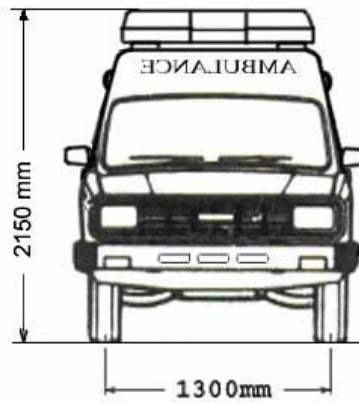
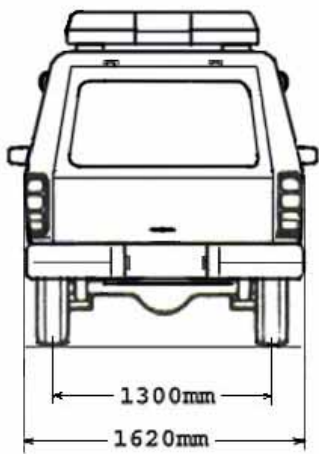
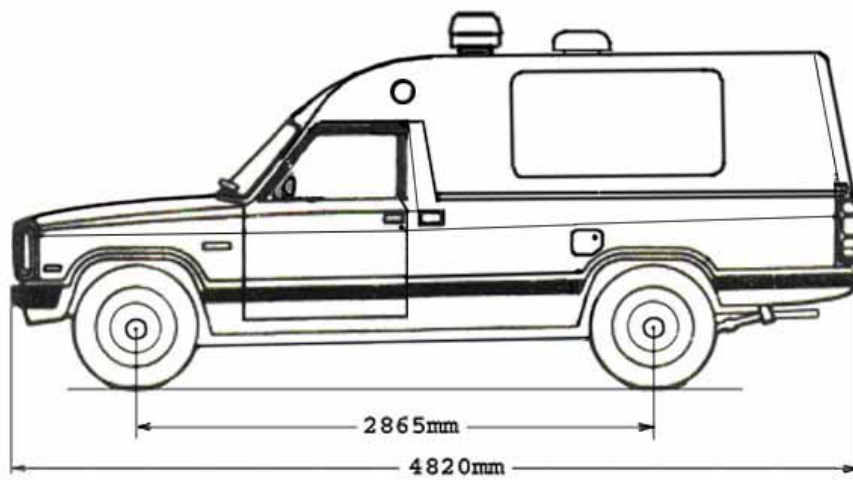
14

NO_x + HC

A3	(2 1
	(2 2
B2000i	(2 3
1383	(2 4
	(2 5
	(2 6

()

4820 mm	(3 1
1620 mm	(3 2
2150 mm	(3 3
2865 mm	(3 4
1300 mm	(3 5
1300 mm	(3 6
1130 mm	(3 6



()

1480 kg

(5 1

2400 kg

(5 2

	3	(6 1
1	2	(6 2
	1	(6 3
		(6 4
		(6 5
		(6 6
		(6 7
		(6 8
		(6 9
		(6 10
		(6 11
		(6 12
		(6 13
-		(6 14

E.C.U



()	U	(8 1
4380 mm		(8 2
1000 mm		(8 3
SAPH32		(8 4
6		(8 5
4		(8 6
		(8 7

2	(9 1
	(9 2
	(9 3
	(9 4
	(9 5
	(9 6
4.875	(9 7
680 kg	(9 8
800 kg	(9 9
6.50-14	(9 10
4.5J×14	(9 11
30 psi	(9 12
35 psi	(9 13



			(10 1
			(10 2
			(10 3
			(10 4
			(10 5
			(10 6
	53	33	(10 7
	38	32	(10 8
	400 mm		(10 9
			(10 10
		4.12	(10 11
		0-6 mm	(10 12
30	-20	45	(10 13
20	-20	1	(10 14

(11 1
(11 2
(11 3

(12 1
(12 2
(12 3
(12 4

-

R134a

13 1

(13 1 1
(13 1 2
(13 1 3
(13 1 4
(13 1 5

1

13 2

(13 2 1
(13 2 2
(13 2 3
(13 2 4

4

1

60A-12V	(14 1
0.95 kW-12V	(14 2
60 A.h-12V	(14 3
12 kV-12V	(14 4
	(14 5
-	(14 6

	(15 1
-	(15 2

FE CIS	(16 1
	(16 2
4	(16 3
86 mm	(16 4
86 mm	(16 5
1998 cc	(16 6
8.6:1	(16 7
70.1 kW at 5000 rpm	(16 8
151 N.m at 2500 rpm	(16 9
685×552×654 mm	(16 10
	(16 11



-

(18 1

(18 2

(18 3

-

5

(19 1

(19 2

(19 3

4.451	1
2.686	2
1.589	3
1.000	4
0.874	5
4.292	

-

(20 1

(20 2

		(21 1
		(21 2
1.7L		(21 3
		(21 4
1.7 kW		(21 5
1.2 kW		(21 6
wax pellet type		(21 7
82°C		(21 8

160 km/h		(22 1
5.8 m		(22 2

4.2L±0.3L	SAE 20W40(15W-20)(SG Grade)	(23 1
3.9L	SAE 20W40(15W-20)(SG Grade)	(23 2
2L±0.1L	GL4 or GL5 SAE 75W90	(23 3
1.3L±0.1L	GL5 SAE90	(23 4
0.5L	C-BF-25	(23 5
66L	UNLEADED PETROL	(23 6
0.6L±0.1L	C-FL-12	(23 7
7.9L±0.2L		(23 9

-



(24 1

(24 2

(24 3

(24 4

(24 5

(24 6

-





